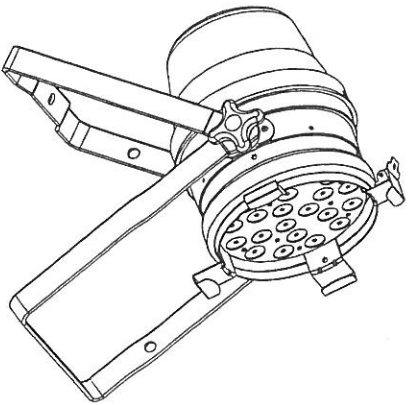


# Par 64 Short 21x RGB 3-in-1

## USER MANUAL



Thank you for purchasing this product. For your own safety, please read this user manual carefully before you initially start-up

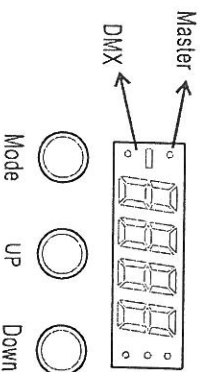
### SAFETY INSTRUCTIONS

- ◆ Every person involved with the installation, operation and maintenance of this device has to :  
-be qualified
- ◆ -follow the instructions of this manual
- ◆ **CAUTION!** Be careful with your operations. With a dangerous voltage you can suffer a dangerous electric shock when touching the wires!
- ◆ This device has left our premises in absolutely perfect condition. In order to maintain this condition and to ensure a safe operation, it is absolutely necessary for the user to follow the safety instructions and warning notes written in this user manual.
- ◆ **Important:** Damages caused by the disregard of this user manual are not subject to warranty. The dealer will not accept liability for any resulting defects or problems.
- ◆ Keep away from heaters and other heating sources!
- ◆ If the device has been exposed to drastic temperature fluctuation (e.g. after transportation), do not switch it on immediately. The arising condensation water might damage your device. Leave the device switched off until it has reached room temperature.
- ◆ Make sure that the power-cord is never crimped or damaged by sharp edges. Check the device and the power-cord from time to time.
- ◆ If the external flexible cable or cord of this luminaire is damaged, it shall be exclusively replaced by the manufacturer or his service agent or a similar qualified person in order to avoid a hazard. Shields, lenses or ultraviolet screens shall be changed if they have become visibly damaged to such an extent that their effectiveness is impaired, for example by cracks or deep scratches.
- ◆ Never let the power-cord come into contact with other cables! Handle the power-cord and all connections with the mains with particular caution!
- ◆ Make sure that the available voltage is not higher than stated in this manual.
- ◆ Always disconnect from the mains, when the device is not in use or before cleaning it. Only handle

- ◆ the power-cord by the plug. Never pull out the plug by tugging the power-cord.
- ◆ During the initial start-up some smoke or smell may arise. This is a normal process and does not necessarily mean that the device is defective.
- ◆ **DANGER OF BURNING!** Never touch the device during the operation! The housing heats up to the housing temperature TSURFACE.
- ◆ Don't switch the device on and off in short intervals as this would reduce the lamp's life.
- ◆ **HEALTH HAZARD!** Never look directly into the light source, as sensitive persons may suffer an epileptic shock (especially meant for epileptics)!
- ◆ Always disconnect from the mains, when the device is not in use or before cleaning it.
- ◆ Please note that damages caused by manual modifications on the device or unauthorized operation by unqualified persons are not subject to warranty.
- ◆ Keep away children and amateurs from the device!
- ◆ There are no serviceable parts inside the device. Maintenance and service operations are only to be carried out by authorized dealers.

### Operation instructions:

- ◆ This system has DMX Online mode and Stand-alone Mode. Online mode can link other units and be controlled by the DMX controller. And Stand-alone Mode has the functions of Sound, Auto Mixcolor and Strobe and so on..
- ◆ Do not receive any DMX Signal under Master/Slave mode. Master:MODE5/6/7/8 Slave : DMX MODE3.
- ◆ If a DMX signal is present under Online mode, the DMX LED will blink very fast to indicate. While under Master/Slave mode, Master's LED indicator will light and Slave's one will blink to indicate.
- ◆ **Button Function Description:**  
Press MODE button to select your desire mode. And press UP or Down button to select DMX address, switch AUTO MODE, adjust the speed value and select color. Up key is to add value. Down key is to reduce value. (Note: If you press UP or DOWN key more than 3 seconds, you can select quickly.)



Button name	Function description
MODE	to select your desire mode
UP	To select DMX address. To run AUTO MODE. To adjust MODE speed. To select MACRO color.
DOWN	To select DMX address. To run AUTO MODE. To adjust MODE speed. To select MACRO color.

## Display Function Instructions:

MODE	Display	Function
DMX mode 1 (1CH)	1XXX (XXX=001-511)	Macro Mode
DMX mode 2 (2CHS)	2XXX (XXX=001-511)	Macro Mode (CH 1)+Adjust luminance (CH 2)
DMX mode 3 (3CHS)	3XXX (XXX=001-511)	R(CH 1), G(CH2), B(CH3)
DMX mode 4 (7CHS)	4XXX (XXX=001-511)	More Function refers to DMX MODE table
Red Manual Adjust (static state)	D1XX (XX=00-99)	Red adjust luminance: 00-99 : 0-100%
Green Manual Adjust (static state)	D2XX (XX=00-99)	Green adjust luminance: 00-99 : 0-100%
Blue Manual Adjust (static state)	D3XX (XX=00-99)	Blue adjust luminance: 00-99 : 0-100%
Strobe set	D4XX (XX=00-99)	Strobe adjust speed: 00-99 : no strobe-fastest strobe
Auto mix-color Mode	F XX (XX=01-15)	Adjust speed of auto mix-color: from fast to slow (01-15)
7 Colors random show mode	C XX (XX=01-15)	Adjust speed of 7 colors random show: from fast to slow (01-15)
Music control mode	S0	7 Colors music control

## DMX MODE:

( Press UP or DOWN key to change DMX address.)

1.DMX mode 1 (1 Channel Display indicates: 1XXX; XXX= DMX address)

Figure 1	CH1(0-255)	Function
DMX mode 1	Macro	To select 36 colors

2.DMX mode 2 (2 Channels Display indicates: 2XXX; XXX= DMX address)

Figure 2	CH1(0-255)	CH2(0-255)	Function
DMX mode 2	Macro	luminance	To select 36 colors +adjust luminance

3.DMX mode 3 (3 Channels Display indicates: 3XXX; XXX= DMX address)

Figure 3	CH1(0-255)	CH1(0-255)	CH1(0-255)	Function
DMX mode 3	R	G	B	R/G/B Adjust luminance

4.DMX mode 4 (7 Channels Display indicates: 4XXX; XXX= DMX address)

CH6	CH1	CH2	CH3	CH4	CH5	CH6	CH7	Function
Mode	R	G	B	Macro Mode	Speed /Strobe	Mode	MASTER DIM	Function
	0	0	0					
(0-35) Adjust colors	1-255	1-255	1-255	0-13(off)	Strobe: 0 -15: static state	(0-35) Adjust colors		RGB/Strobe
	NA	NA	NA	14-255(macro)	16-255:16 steps			Macro Mode
(36-71)	0-7:OFF 8-255 JOIN IN					(36-71)		To increase the luminance
(72-107)						(72-107)		To reduce the luminance
(108-143)				NA	Adjust Speed 0 -255: 16 steps	(108-143)	Dimmer 0-255:min-max	To increase or reduce the luminance
(144-179)						(144-179)		Auto mixcolor
(180-251)	NA	NA	NA			(180-251)		7 colors random shows
7 colors sound controlled (252-255)	NA			NA	NA	7 colors sound controlled (252-255)		Light changes as the sound signal

## Technical specification

Power Input :AC 100-240/47-63HZ  
 Power Consumption :230V/50HZ/0.308A/66.1W  
 LED Amount:21Pcs/3\*1W LED  
 DMX Channel : 1/2/3/7 CHS

